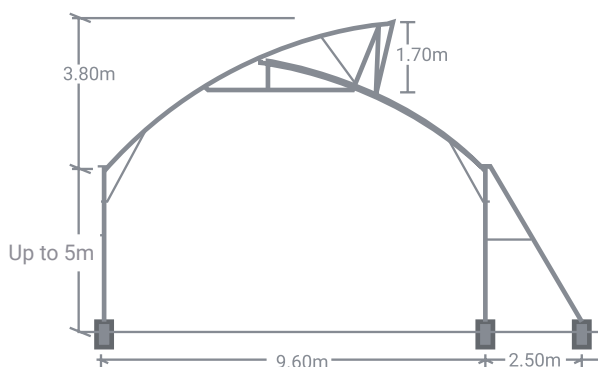


CLASSIC POLYETHYLENE GREENHOUSE FIXED ROOF VENT WITH CURTAIN



Roof vent opening:
1.70m



Polyethylene curtain
in roof vent



Manual or
automated roof
curtain



Roof vent with
Anti-insect net
(25-50 mesh)

The Classic Polyethylene Greenhouse offers 5 models, to provide the optimal solution for specific climate conditions and crop requirements.

The greenhouse polyethylene cover is connected with reusable PVC or aluminum locking profiles.

It is designed for standard wind loads and vertical loads.

Side walls can be closed or curtain covered (manual or automated).

Gable

9.60m

Gutter Height

up to 5m

Section

4.00m

Benefits & Features

- All profiles are closed. Small thick profiles provide minimum shade inside the greenhouse.
- Arch angle shapes (ridge $\approx 25^\circ$) - The high ridge provides efficient ventilation and optimal light transmission (up to 3.85m above gutter height).

A greenhouse by Netafim provides:

- Fast and easy structure installation.
- Top quality greenhouse structures backed by the latest in house horticulture technologies.
- Flexibility in design according to customer requirements.
- Proven experience in structure resistance to strong winds up to 150 km/h.