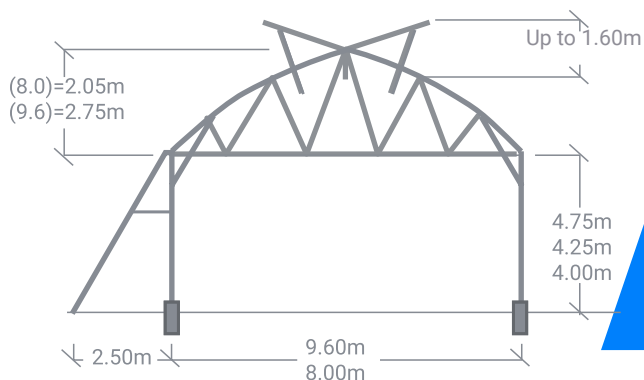


# CLASSIC POLYETHYLENE GREENHOUSE

## MOVABLE DOUBLE ROOF VENT



Roof vent opening up to: 1.60m



Rack and pinion system



Roof vent with Anti-insect net (25-50 mesh)

The Classic Polyethylene Greenhouse offers 5 models, to provide the optimal solution for specific climate conditions and crop requirements.

The greenhouse polyethylene cover is connected with reusable PVC or aluminum locking profiles. It is designed for standard wind loads and vertical loads.

Side walls can be covered with polyethelene, polycarbonate or with curtain (manual or automated).

Gable	Gutter Height	Section
8.00 or 9.60m	Up to 6m	3.00, 4.00, 5.00m

## Benefits & Features

- All profiles are closed. Small thick profiles provide minimum shade inside the greenhouse.
- Arch angle shapes (ridge  $\approx 25^\circ$ ) - The high ridge provides efficient ventilation and optimal light transmission (up to 2.75m above gutter height).

## A greenhouse by Netafim provides:

- Fast and easy structure installation.
- Top quality greenhouse structures backed by the latest in house horticulture technologies.
- Flexibility in design according to customer requirements.
- Proven experience in structure resistance to strong winds up to 150 km/h.